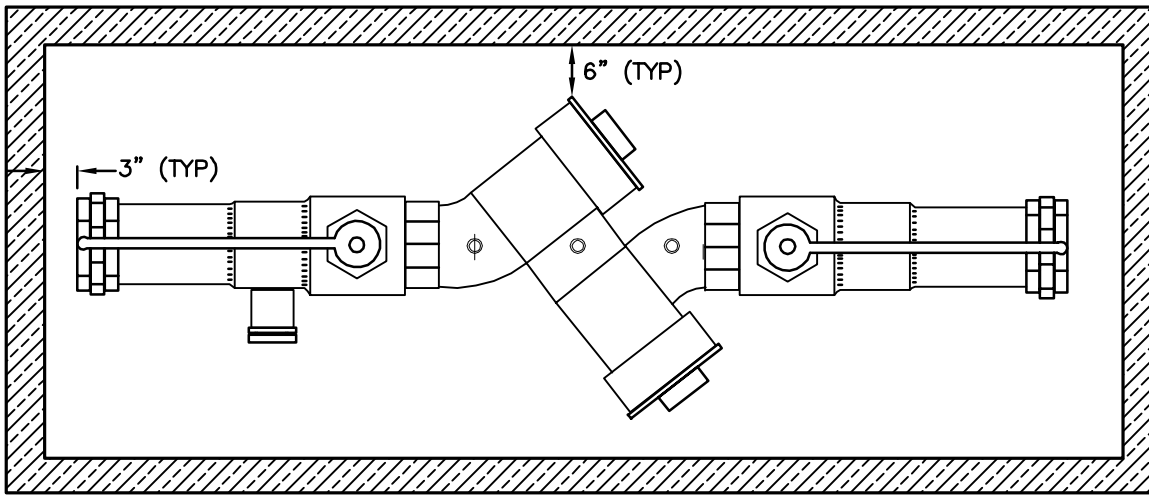
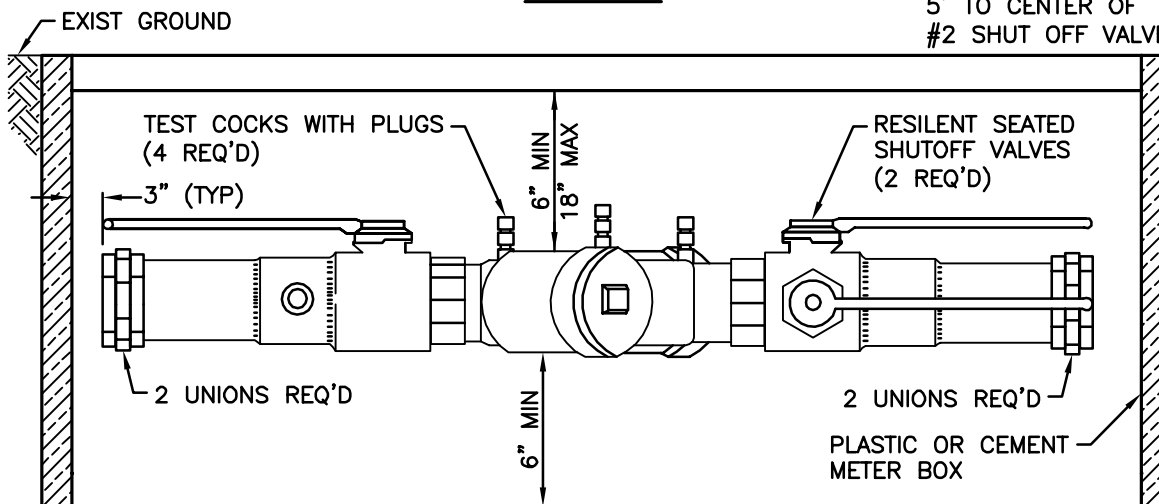


**VERTICAL
INSTALLATION**

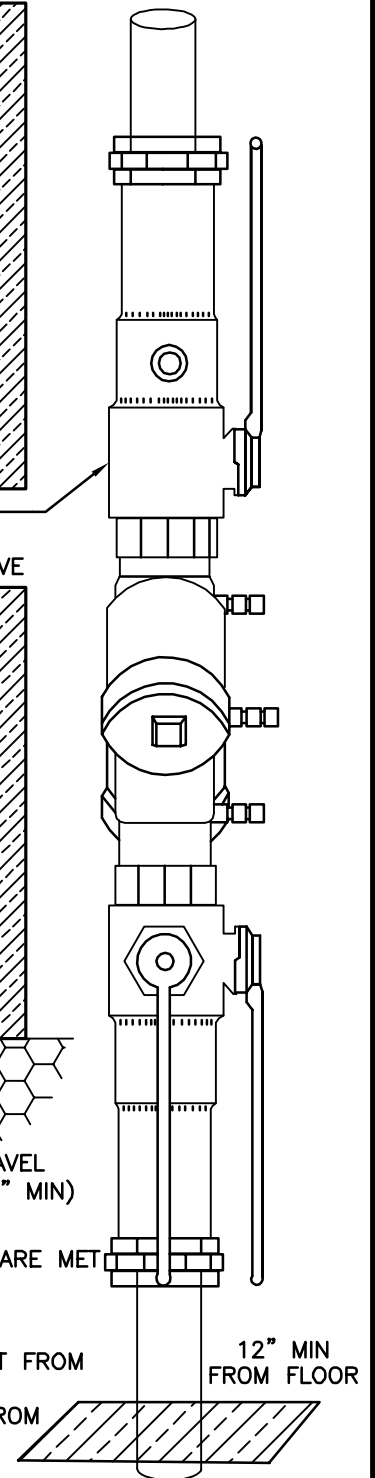


TOP VIEW

NO HIGHER THAN
5' TO CENTER OF
#2 SHUT OFF VALVE



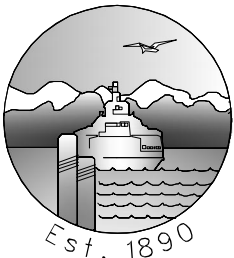
SIDE VIEW



NOTES:

1. APPROVED DOUBLE CHECK VALVE ASSEMBLY TO LAY HORIZONTAL WITH GROUND
 2. DESIGNED FOR BACK SIPHONAGE AND BACK PRESSURE
 3. TEST COCKS TO EITHER FACE OUTWARDS OR UPWARDS FROM ASSEMBLY
 4. ALL TEST COCKS MUST BE PROVIDED WITH PVC PLUGS
 5. THOROUGHLY FLUSH LINES PRIOR TO INSTALLATION OF BACK FLOW PREVENTER
 6. THE DCVA CAN BE INSTALLED ABOVE OR BELOW THE GROUND PROVIDED ALL CLEARANCES ARE MET
 7. DO NOT INSTALL IN AN AREA SUBJECT TO FLOODING
 8. MUST BE PROTECTED FROM FREEZING CONDITIONS
 9. THE BACK FLOW PREVENTION ASSEMBLY MUST BE A WASHINGTON STATE APPROVED MODEL
 10. IF INSTALLED INSIDE A BUILDING THE DCVA SHALL BE INSTALLED NO HIGHER THAN 5 FEET FROM FLOOR TO C/L OF ASSY AND A MIN OF 12 INCHES FROM FLOOR TO BOTTOM OF ASSY IF INSTALLED IN A VERTICAL CONFIGURATION, ASSY MUST BE A MINIMUM OF 12 INCHES FROM FLOOR, AND NO HIGHER THAN 5 FEET FROM FLOOR TO C/L OF #2 SHUT OFF VALVE
- *ONLY ASSY WITH APPROVAL FROM WADOH

MUST BE TESTED AFTER INSTALLATION AND YEARLY THEREAFTER BY A WASHINGTON STATE CERTIFIED BACKFLOW ASSEMBLY TESTER. THE TEST REPORT MUST BE SENT TO THE CITY OF EDMONDS WATER DIVISION



CITY OF EDMONDS
PUBLIC WORKS
DEPARTMENT

**RESIDENTIAL DOUBLE
CHECK VALVE ASSEMBLY**
(STANDARD DCVA 2" & SMALLER)

APPROVED BY: **R. ENGLISH**

REVISION DATE
JANUARY 2018

STANDARD
DETAIL
WA-140